

GHP-AK Stainless Steel Hasp With Latch

Features

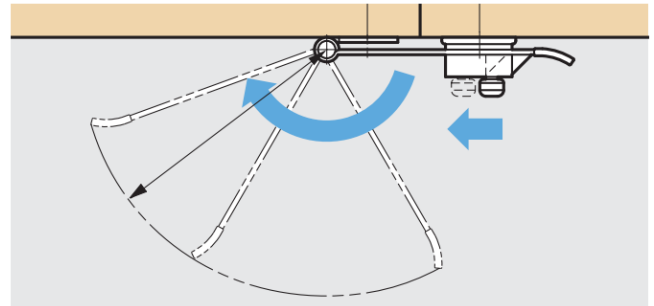
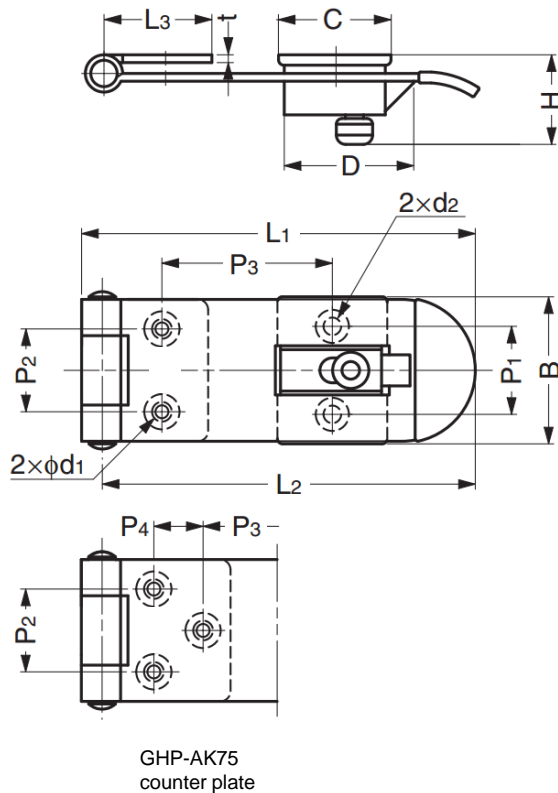
- Snap on the flap to keep latch closed
- Ideal for harsh and high corrosion environments
- Plastic cap on end to reduce noise

Material

- Stainless steel 304, polished

Parts Included

- Countersunk head wood screw (SUS)



Slide the latch knob to release

Part No.	L ₁	L ₂	L ₃	B	P ₁	P ₂	P ₃	P ₄	H	C	D	t	d ₁	d ₂	Screw
GHP-AK50	51	48	13	22.2	13.5	12	19	-	16.6	18	20.5	1.2	3	3.3	2.4 x 13
GHP-AK65	66	63	19	24.2		14	28						3.2		
GHP-AK75	76	72	24.8	27.4	17	16	35	9.5	17.5	21.2	25	1.5	3.8	3.4	2.7 x 16